

LARGE Flange Hill-Lock® Screws



Complementing the Flange Hill-Lock® line is the LARGE Flange Hill-Lock® Screw.

Engineered to cover oversize and elongated holes, the large flange distributes the bolt load over a greater area. It affords a non-distortional bearing surface on soft materials such as light metals, fiberglass, and wood.

Even on harder surfaces, the patented chevron shaped teeth will seat and lock in place.

Wearability

[Surface Hardness]

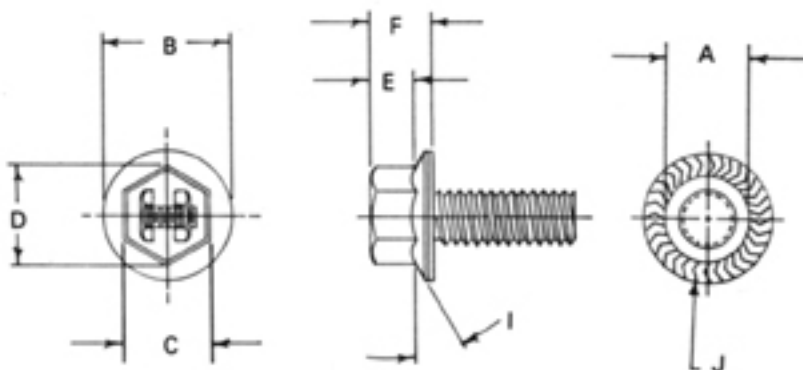
R15N-76/86

Core Hardness

Rc 25/34

Tensile Strength

120,000 P.S.I. min.



	Screw Size		#10	1/4	5/16	3/8
A	Tooth I.D.	Min.	.317	.432	.497	.559
		Max.	.323	.438	.503	.565
B	Flange Diameter	Min.	.550	.610	.790	.885
		Max.	.570	.630	.820	.915
C	Across Flats	Min.	.305	.367	.489	.551
		Max.	.312	.375	.500	.562
D	Across Corners	Min.	.340	.409	.548	.618
E	Hex Height	Min.	.130	.170	.210	.250
F	Head Height	Min.	.230	.260	.340	.370
			.250	.280	.360	.400
I	Angle	Max.	20°	20°	20°	20°
J	Number of Teeth		23	28	34	38
L	Lengths Produced	Min.	3/8"	3/8"	1/2"	1/2"
		Max.	1-1/2"	2-1/2"	2-1/2"	3-1/2"